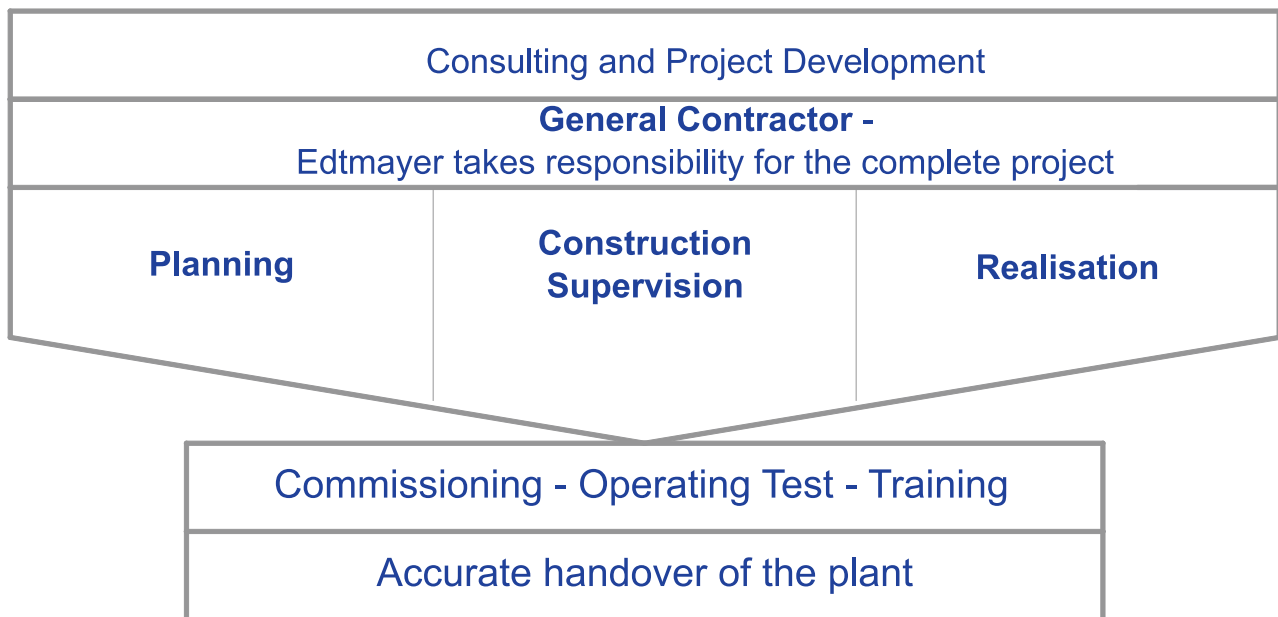


Planning office & Plant construction



Your partner for innovative solutions

Your partner for innovative solutions in process engineering



For more than **55** years Edtmayer has been offering **control systems** for many fields of plant construction in productive cooperation with customers and suppliers, such as

Foodstuffs industry:

- ⇒ Heating and pasteurisation systems
- ⇒ CIP-Purification plants
- ⇒ Pipeline construction made from stainless steel
- ⇒ Container cleaning, sterilisation and filling systems
- ⇒ Filling of liquid and semifluid foods
- ⇒ Automation of all process workflows
- ⇒ EU-compliant data recording

Saving of energy:

- ⇒ Stocktaking and analysis of sections or complete plant
- ⇒ Determination of saving potential
- ⇒ Technical implementation of necessary tasks

Power supply:

- ⇒ Planning and installation of steam and hot water boilers, compressed air stations and refrigerating plants

Sewage technology - water treatment

- ⇒ New development, restoration and expansion of clarification plants
- ⇒ Water treatment plants

Our services include:

- ⇒ Consulting and task analysis
- ⇒ Commissioning and training of staff on site
- ⇒ Planning
- ⇒ Documentation
- ⇒ Assumption of responsibility for a project
- ⇒ After sales service
- ⇒ Realisation

Flexibility is important for us! Due to a close cooperation with our customers and our founded product knowledge, we create customised concepts.

Edtmayer offers ...



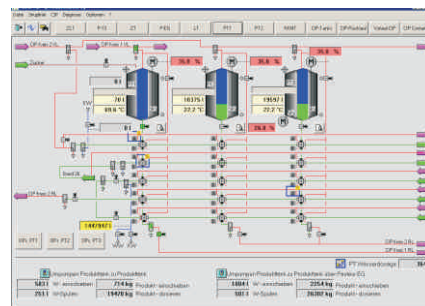
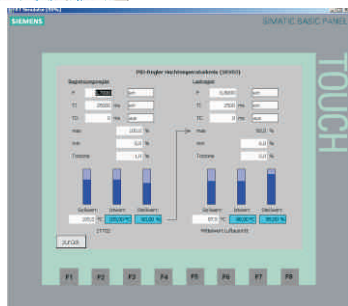
...all variations of simple pipe installations in stainless steel or steel to laying of complex pipe routes...



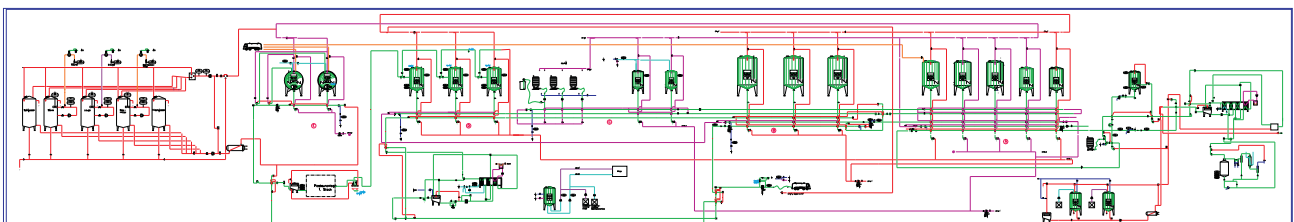
...to planning and construction of single installations up to completely designed major projects and entire plants.



The **automation** highly depends on the plant's conditions, therefore partial as well as fully automatic systems are conceivable.



Edtmayer provides high, but affordable **quality**, consequently only components of well-known manufacturers are used.



Your contact at Edtmayer

Consulting and Sales:



Ing. Walter Schmatelka
Advisor & Sales Manager
E-Mail: walter.schmatelka@edtmayer.at



Gerhard Grau
Sales & Procurement Director
E-Mail: gerhard.grau@edtmayer.at

Planning and Engineering:



Franz Ramler
General Technical Management
E-Mail: franz.ramler@edtmayer.at



Ing. Walter Ramler
Automation Project Manager
E-Mail: walter.ramler@edtmayer.at



Gerald Ramler
General Project Manager
E-Mail: gerald.ramler@edtmayer.at



Ing. Claudia Wallner
General Project Manager
E-Mail: claudia.wallner@edtmayer.at

